



## 4 Function with Slim Transmitter

### SYSTEM PART NUMBER

**113004** 4 Function Mini Receiver + 4 Function Slim Transmitter.

### REPLACEMENT TRANSMITTER

**TX3004** 4 Function Slim Transmitter

#### CONTENTS

- 1 x Mini Receiver
- 1 x Slim Transmitter
- 1 x Lanyard
- 1 x Instructions



### SLIM TRANSMITTER SPECIFICATION

#### ENCLOSURE

Material	ABS
Switch Type	12mm Dome
Switch Functions	4
Identification	Pockets for printed text or image insertion

#### RF

Modulation	2-GFSK. Gaussian Frequency Shift Keying
Frequency	433.050 MHz to 434.790 MHz
Channels	1
Channel Selection	Fixed
Technology	Hand-held Transmitter
Temperature Range	-30deg.C to 85deg.C (except batteries). Use Lithium for lower temperatures
Range	60m (300ft)
Registration Codes	Over 16 million
Aerial	Internal – printed on PCB

#### POWER

Batteries	2 x AA – 3 volts. Temperature Range -40deg.C to 54deg.C
Quiescent Current	5µA
Current Standby (SET)	2mA
Current Transmitting	30mA
RF Radiated Power	0dBm

#### SAFETY & PROTECTION

IP Rating	55
Reverse Polarity Protection	Yes – MOSFET

#### INFORMATION

Transmit Indication	LED on when TX operated
Fault Codes	LED flashes fault code
Low Battery	LED flashes when TX operated

## COMPLIANCE

See compliance documentation

## MINI RECEIVER SPECIFICATION

### ENCLOSURE

Material Lid	Clear PVC - to view LEDs
Base	Black ABS
Dimensions	120 x 110 x 38mm (4.72 x 4.33 x 1.5ins.)
Weight	290 gms
Breather	Gortex membrane
IP Rating	IP67
Functional Identification	LED though clear lid
Mounting	4 external lugs
Fixings	5mm (3/16") - not supplied

### ELECTRICAL

Voltage Nominal	12/24 volts
Voltage Min/Max	9 to 32 volts
Connection	1.5m (5ft) 7 core cable through gland
Switch Type	MOS Field Effect Transistor (MOSFET)
System Current – max.	6 amps.
Functions	2

### RF

Modulation	2-GFSK. Gaussian Frequency Shift Keying
Frequency	433.050 MHz to 434.790 MHz
Channels	1
Channel Selection	Fixed
Technology	Fixed Receiver
Temperature Range	-30deg.C to 85deg.C
Range	60m (200ft)
Range max.	300m (1000ft) in open ground
Registration Codes	Over 16 million

### AERIAL

Aerial	Internal – ¼ wave wire
Aerial option	SMA Connector fitted
External Antenna	AC9860/1/2/3 & 9 – order separately

### POWER

Quiescent Current	65mA
Current Standby (SET)	68mA
RF Radiated Power	0dBm

### SAFETY & PROTECTION

Back EMF	Yes – protection diodes
Reverse Polarity	Yes
System Monitoring	Yes – using a secondary processor
Transient Voltage	Yes – TVS Diode 30.8 volts. 10amp fuse recommended
Overload	Yes – by temperature sensor

### CONFIGURATION

Operating System	Lodar Script
Functions	Momentary with Horizontal Interlocks
Master Output	Parallel – Continuous optional

### INFORMATION

Fault code	Yes	LED
Receive Indication	Yes	LED

### PACKAGING

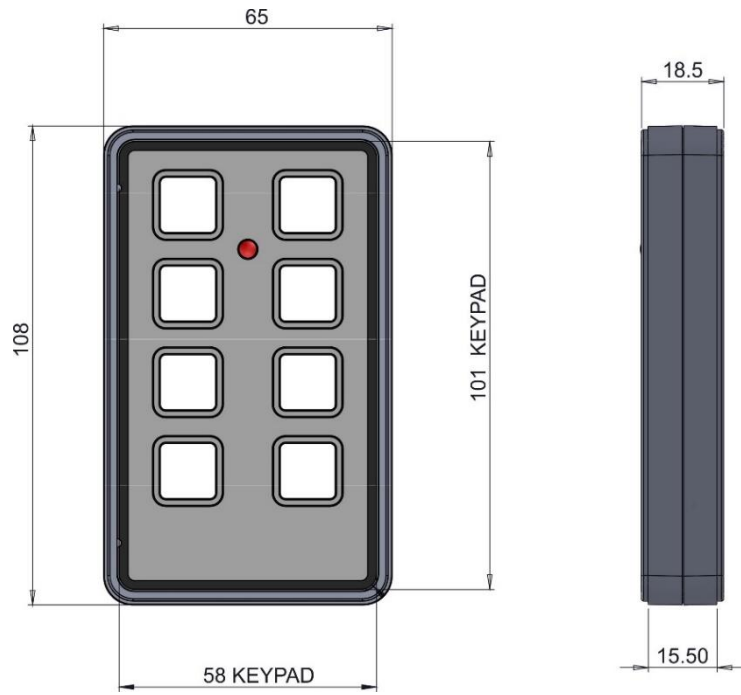
Brown Box	with coloured sleeve
-----------	----------------------

## COMPLIANCE

See compliance documentation

**TRANSMITTER**

TX3006 - 6 Function Shown



**RECEIVER**

11RX02 & 11RX04 - 2/4 Function Shown

