



4 Function with Mini Transmitter

SYSTEM PART NUMBER

110004 4 Function Mini Receiver + 4 Function Mini Transmitter

REPLACEMENT TRANSMITTER

TX0004 4 Function Mini Transmitter

CONTENTS

1 x Mini Receiver
1 x Mini Transmitter
1 x Lanyard
1 x Instructions



MINI TRANSMITTER SPECIFICATION

ENCLOSURE

Material	ABS
Switch Type with carbon pill	Silicone Rubber keypad
Functions	4
Identification	Subsurface printed transmitter label

RF

Modulation	2-GFSK. Gaussian Frequency Shift Keying
Frequency	433.050 MHz to 434.790 MHz
Channels	1
Channel Selection	Fixed
Technology	Hand-held Transmitter
Temperature Range	-30deg.C to 85deg.C (except batteries). Use Lithium for lower temperatures
Range	45m (150ft)
Registration Codes	Over 16 million
Aerial	Internal – printed on PCB

POWER

Batteries	2 x AAA – 3 volts. Temperature Range -40deg.C to 54deg.C
Quiescent Current	5µA
Current Standby (SET)	2mA
Current Transmitting	30mA
RF Radiated Power	0dBm

SAFETY & PROTECTION

IP Rating	67
Reverse Polarity Protection	Yes – MOSFET

INFORMATION

Transmit Indication	LED on when TX operated
Fault Codes	LED flashes fault code
Low Battery	LED flashes when TX operated

COMPLIANCE

See compliance documentation

MINI RECEIVER SPECIFICATION

ENCLOSURE

Material Lid	Clear PVC - to view LEDs
Base	Black ABS
Dimensions	120 x 110 x 38mm (4.72 x 4.33 x 1.5ins.)
Weight	290 gms.
Breather	Gortex membrane
IP Rating	IP67
Functional Identification	LED though clear lid
Mounting	4 external lugs
Fixings	5mm (3/16") - not supplied

ELECTRICAL

Voltage Nominal	12/24 volts
Voltage Min/Max	9 to 32 volts
Connection	1.5m (5ft) 4 core cable through gland
Switch Type	MOS Field Effect Transistor (MOSFET)
System Current – max.	6 amps.
Functions	4

RF

Modulation	2-GFSK. Gaussian Frequency Shift Keying
Frequency	433.050 MHz to 434.790 MHz
Channels	1
Channel Selection	Fixed
Technology	Fixed Receiver
Temperature Range	-30deg.C to 85deg.C
Range	45m (150ft)
Range max.	300m (1000ft) in open ground
Registration Codes	Over 16 million

AERIAL

Aerial	Internal – ¼ wave wire
Aerial option	SMA Connector on PCB – order separately
External Antenna	AC9860/1/2/3 & 9 – order separately

POWER

Quiescent Current	65mA
Current Standby (SET)	68mA
RF Radiated Power	0dBm

SAFETY & PROTECTION

Back EMF	Yes – protection diodes
Reverse Polarity	Yes
System Monitoring	Yes – using a secondary processor
Transient Voltage	Yes – TVS Diode 30.8 volts. 10amp fuse recommended
Overload	Yes – by temperature sensor

CONFIGURATION

Operating System	Lodar Script
Functions	Momentary with Horizontal Interlocks
Master Output	Parallel – Continuous optional

INFORMATION

Fault code	Yes	LED
Receive Indication	Yes	LED

PACKAGING

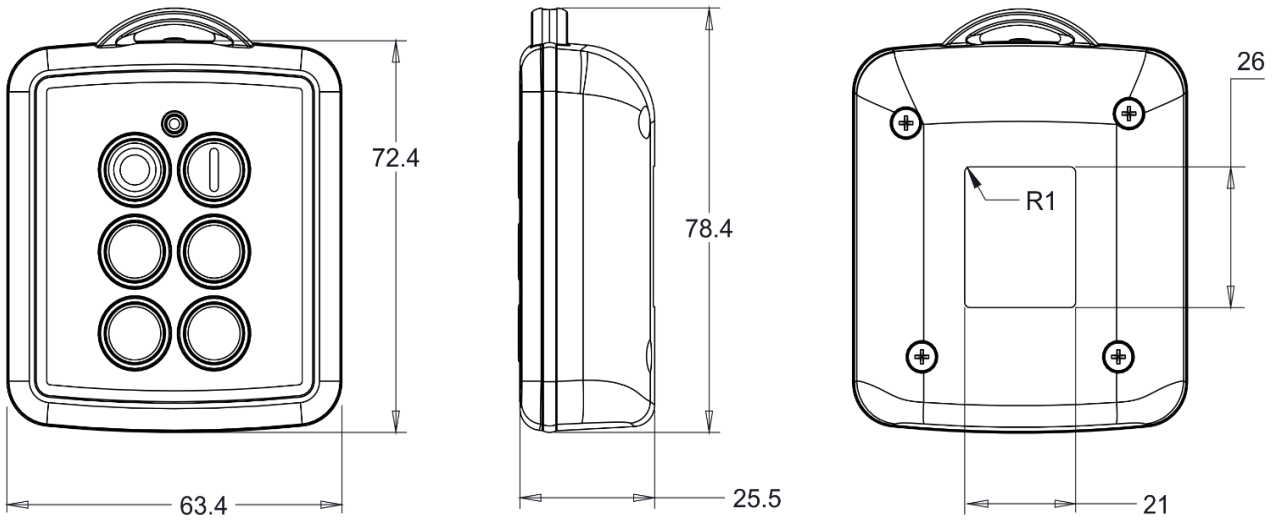
Brown Box	with coloured sleeve
-----------	----------------------

COMPLIANCE

See compliance documentation

TRANSMITTER

TX0004 - 4 Function Shown



RECEIVER

11RX02 & 11RX04 - 2/4 Function Shown

