



2 Function with Mini Transmitter

SYSTEM PART NUMBER

110000 2 Function Mini Receiver + 2 Function Mini Transmitter. No Master

REPLACEMENT TRANSMITTER

TX0002 2 Function Mini Transmitter

CONTENTS

1 x Mini Receiver
 1 x Mini Transmitter
 1 x Lanyard
 1 x Instructions



MINI TRANSMITTER SPECIFICATION

ENCLOSURE

Material ABS
 Switch Type Silicone Rubber keypad with carbon pill
 Functions 2
 Identification Subsurface printed transmitter label

RF

Modulation 2-GFSK. Gaussian Frequency Shift Keying
 Frequency 433.050 MHz to 434.790 MHz
 Channels 1
 Channel Selection Fixed
 Technology Hand-held Transmitter
 Temperature Range -30deg.C to 85deg.C (except batteries). Use Lithium for lower temperatures
 Range 45m (150ft)
 Registration Codes Over 16 million
 Aerial Internal – printed on PCB

POWER

Batteries 2 x AAA – 3 volts. Temperature Range -40deg.C to 54deg.C
 Quiescent Current 5µA
 Current Standby (SET) 2mA
 Current Transmitting 30mA
 RF Radiated Power 0dBm

SAFETY & PROTECTION

IP Rating 67
 Reverse Polarity Protection Yes – MOSFET

INFORMATION

Transmit Indication LED on when TX operated
 Fault Codes LED flashes fault code
 Low Battery LED flashes when TX operated

COMPLIANCE

See compliance documentation

MINI RECEIVER SPECIFICATION

ENCLOSURE

Material Lid	Clear PVC - to view LEDs
Base	Black ABS
Dimensions	120 x 110 x 38mm (4.72 x 4.33 x 1.5ins.)
Weight	240 gms
Breather	Gortex membrane
IP Rating	IP67
Functional Identification	LED though clear lid
Mounting	4 external lugs
Fixings	5mm (3/16") - not supplied

ELECTRICAL

Voltage Nominal	12/24 volts
Voltage Min/Max	9 to 32 volts
Connection	1.5m (5ft) 4 core cable through gland
Switch Type	MOS Field Effect Transistor (MOSFET)
System Current – max.	6 amps.
Functions	2

RF

Modulation	2-GFSK. Gaussian Frequency Shift Keying
Frequency	433.050 MHz to 434.790 MHz
Channels	1
Channel Selection	Fixed
Technology	Fixed Receiver
Temperature Range	-40deg.C to 85deg.C
Range	45m (150ft)
Range max.	300m (1000ft) in open ground
Registration Codes	Over 16 million

AERIAL

Aerial	Internal – ¼ wave wire
Aerial option	SMA Connector optional – order separately
External Antenna	AC9860/1/2/3 & 9 – order separately

POWER

Quiescent Current	65mA
Current Standby (SET)	68mA
RF Radiated Power	0dBm

SAFETY & PROTECTION

Back EMF	Yes – protection diodes
Reverse Polarity	Yes
System Monitoring	Yes – using a secondary processor
Transient Voltage	Yes – TVS Diode 30.8 volts. 10amp fuse recommended
Overload	Yes – by temperature sensor

CONFIGURATION

Operating System	Lodar Script
Functions	Momentary with Horizontal Interlocks
Master Output	No

INFORMATION

Fault code	Yes	LED
Receive Indication	Yes	LED

PACKAGING

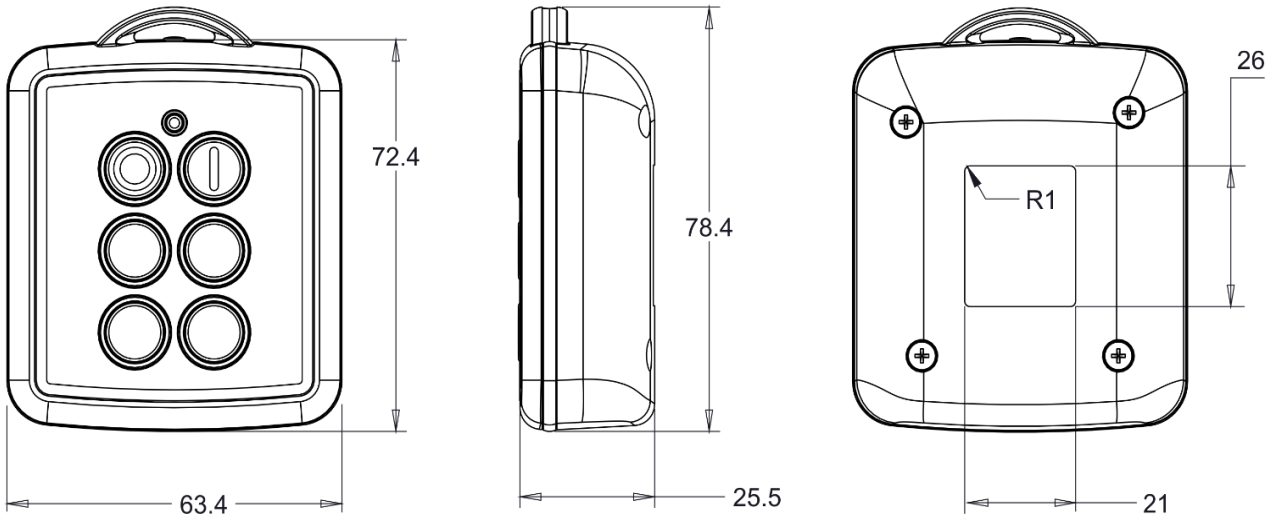
Brown Box	with coloured sleeve
-----------	----------------------

COMPLIANCE

See compliance documentation

TRANSMITTER

TX0004 - 4 Function Shown



RECEIVER

11RX02 & 11RX04 – 2/4 Function Shown

